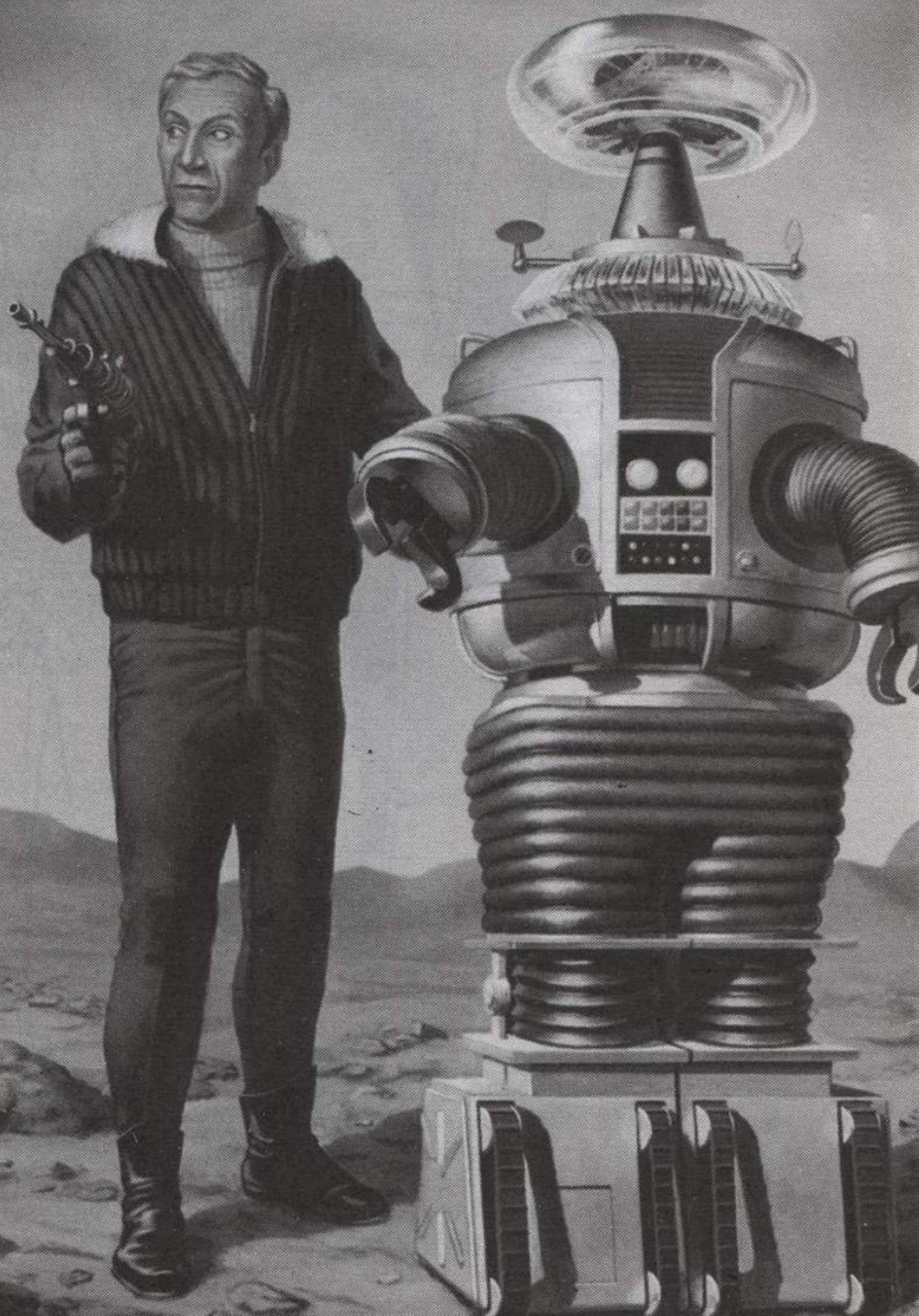


Model Kit 5019

and the Robot B-9



LOST IN SPACE™



LOST IN SPACE™

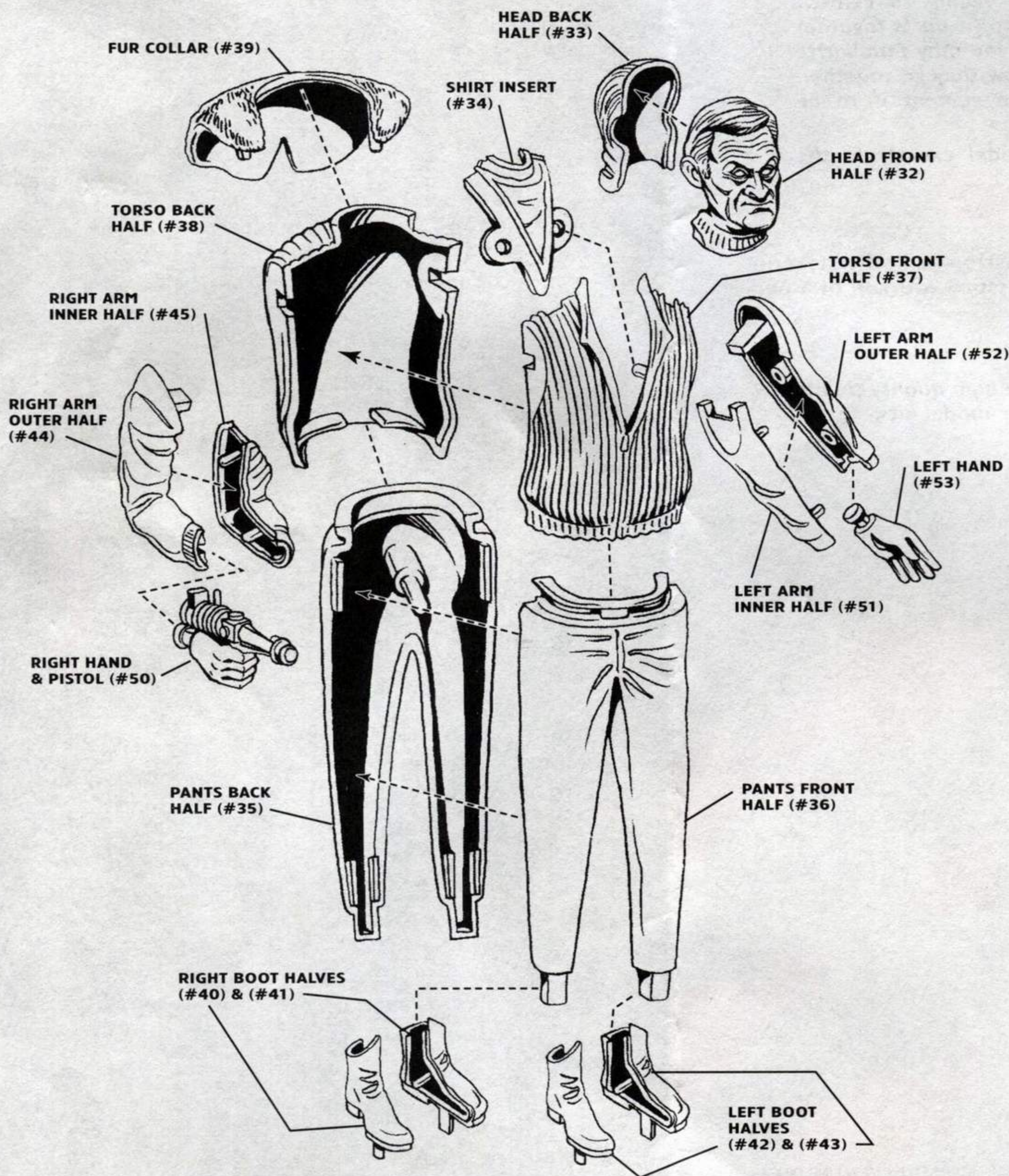
Dr. Zachary Smith and the Robot B-9

FOR SUGGESTED DETAIL PAINTING SCHEME - SEE ILLUSTRATIONS.

Paint parts as indicated and allow to dry before assembling.

For best results use only high-quality paints designed specifically for plastic model kits.

NOTE: For further painting details refer to illustration on package.



DR. ZACHARY SMITH

1. Using a thin bead of glue, follow the "V" shape on the SHIRT INSERT (#34) and the circular locators. Insert into the TORSO FRONT HALF over the locator pins.
2. Cement RIGHT HAND & PISTOL (#50) into sleeve opening of RIGHT ARM OUTER HALF (#44), then glue RIGHT ARM INNER HALF (#45) onto assembly to hold hand in place.
3. Cement LEFT HAND (#53) into sleeve opening of LEFT ARM OUTER HALF (#52), then glue LEFT ARM INNER HALF (#51) onto this assembly to hold hand in place. Set both arm assemblies aside to dry thoroughly.
4. Cement PANTS FRONT HALF (#36) to PANTS BACK HALF (#35), set aside to dry.
5. Cement assembled TORSO FRONT HALF/SHIRT (#37,34) and TORSO BACK HALF (#38) together over the positioning ring at the top of assembled PANTS. Set aside to dry.

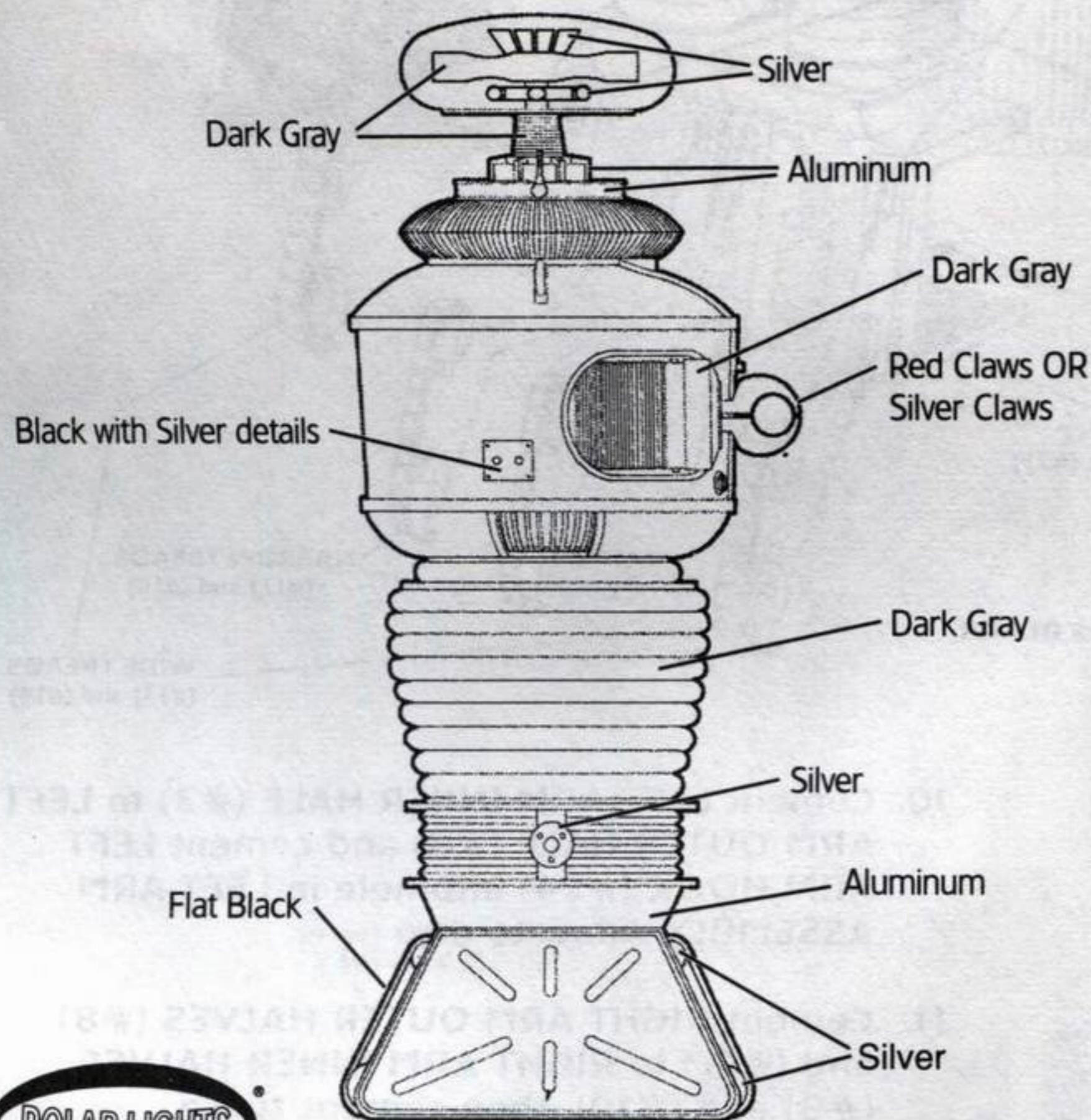
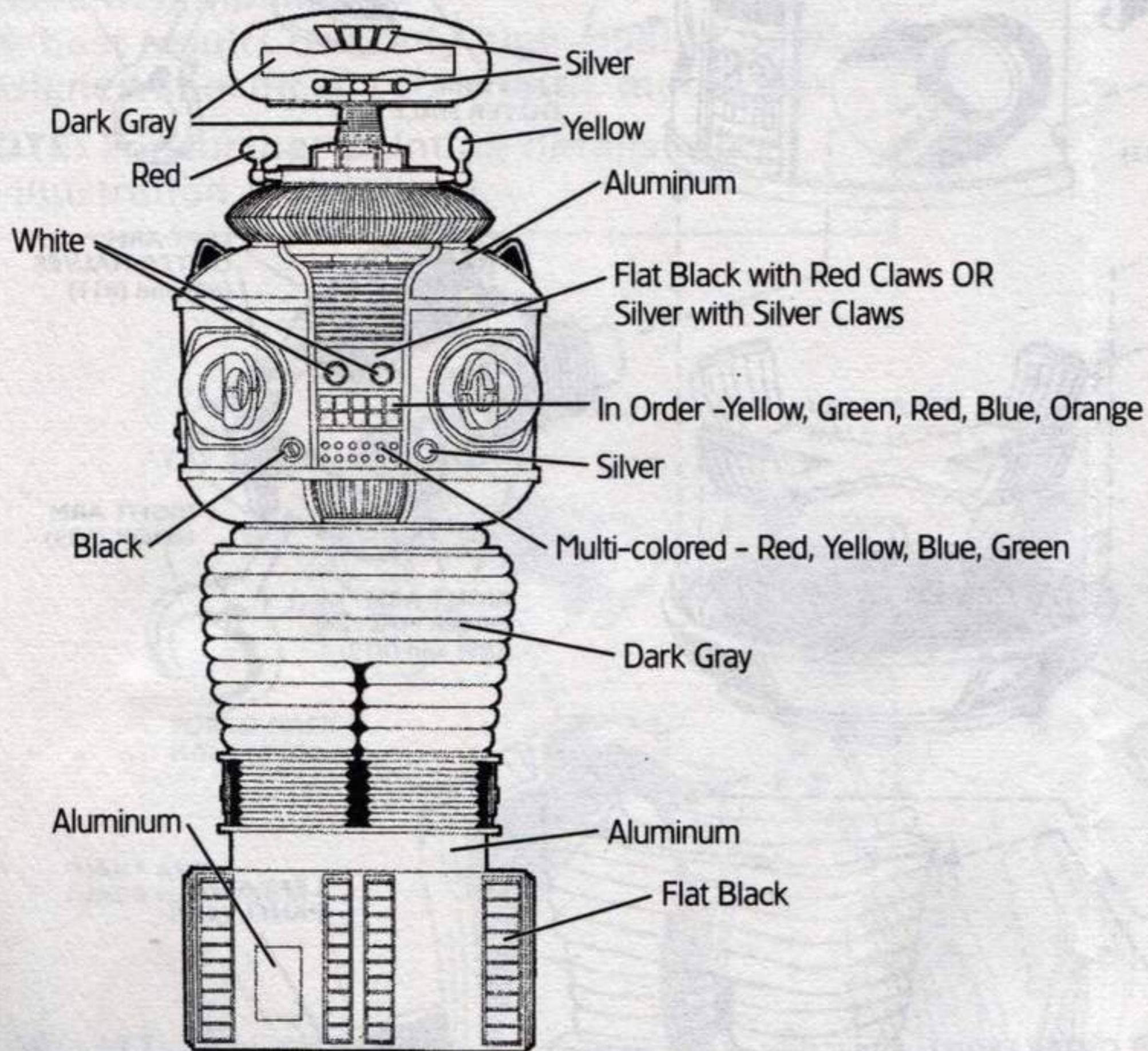
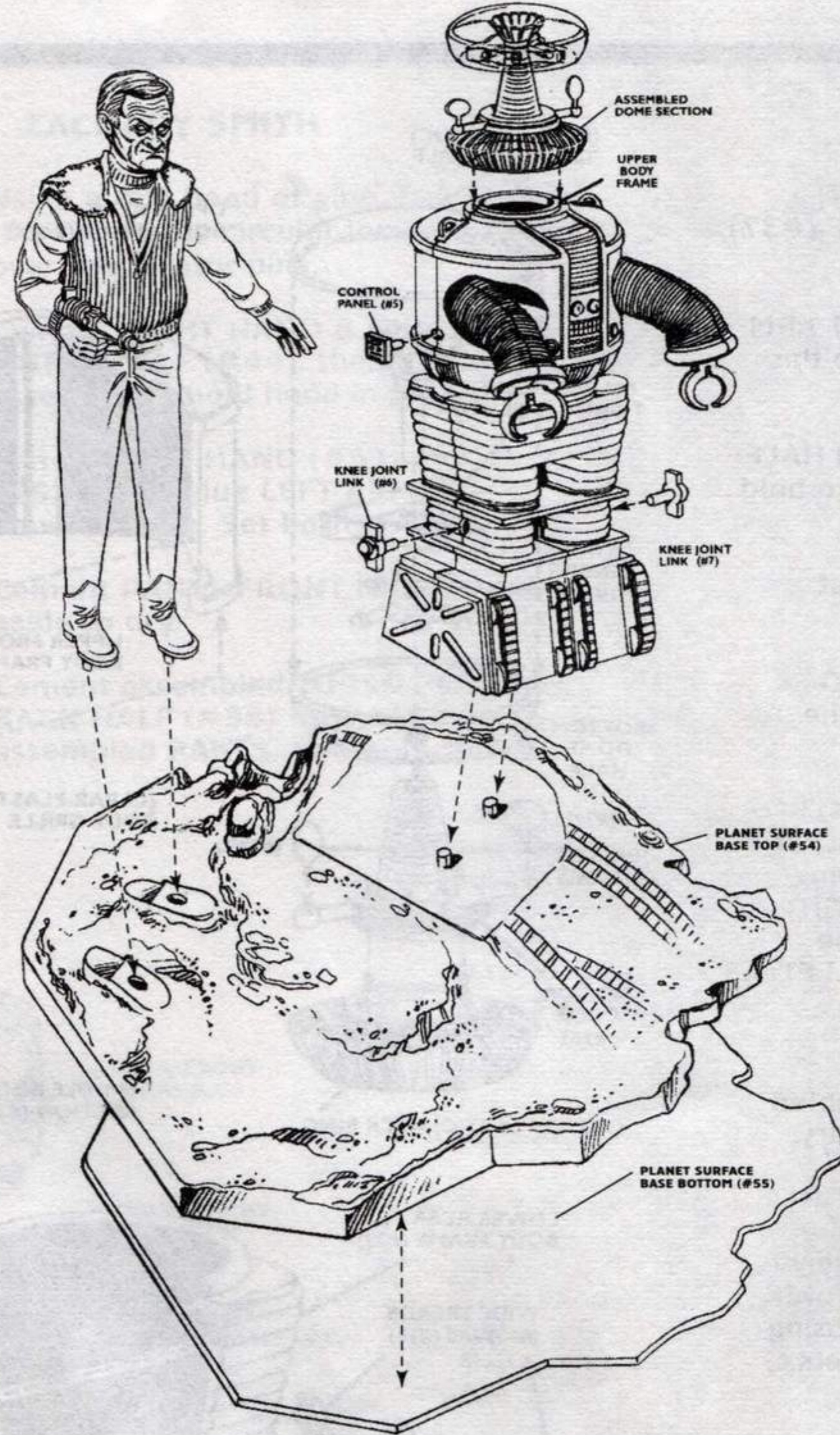
6. Cement RIGHT BOOT HALVES (#40, 41) together and then cement the LEFT BOOT HALVES (#42, 43) together. After dry sufficiently, cement the assembled RIGHT BOOT to the end of the right leg of the PANTS. Then cement the assembled LEFT BOOT to the left leg of the PANTS.
7. Cement the LEFT and RIGHT ARM assemblies into position on the assembled BODY one at a time and set aside to dry.
8. Cement the HEAD HALVES (#32, 33) together and after it sets, cement the HEAD to the neck of the BODY assembly. Then cement the FUR COLLAR (#39) to the neck and shoulders of the BODY using the locator pegs to fit into the shoulder holes. Set aside to dry.

THE ROBOT B-9

1. Using a tiny drop of cement, insert the PLATE SENSORS (#29) into small holes in the SENSOR CONE (#28), then cement the SENSOR CONE to (CLEAR-PLASTIC) NECK RING.
2. Insert SHAFT on ANTENNA (#31) through hole in (CLEAR-PLASTIC) TRIANGLE SENSOR, through STAR SENSOR (#30) through (CLEAR PLASTIC) BOTTOM HALF and cement into hole at top of SENSOR CONE. Finally, cement (CLEAR PLASTIC) TOP DOME HALF to top of BOTTOM DOME HALF. Set aside to dry.
3. Cement edges of (CLEAR-PLASTIC) GRILLE to opening on inside of UPPER FRONT BODY FRAME (#32).
4. Cement UPPER FRONT BODY FRAME (#21) to UPPER REAR BODY FRAME (#33) and set aside to dry.
5. Apply cement to inner edges of LOWER FRONT BODY FRAME (#21) and to inner edges of LOWER REAR BODY FRAME (#33). Insert ribs on BASE of MIDDLE BODY SECTION (#23) into groove on inside of top of LOWER BODY FRAMES, then cement BODY FRAMES together. Hold FRAMES together until cement is dry. (MIDDLE BODY SECTION (#23) is now in place.)

FINAL ASSEMBLY

13. Cement **ASSEMBLED DOME SECTION** to top of **UPPER BODY FRAME** and **UPPER BODY** to **MIDDLE BODY**.
14. Cement **CONTROL PANEL (#5)** and **KNEE JOINT LINKS (#6)** and **(#7)** to **BODY**.
15. Cement **LEFT** and **RIGHT ARM ASSEMBLIES** to **BODY**. Hold in position until cement is dry. Set aside.
16. Cement **BASE TOP (#54)** and **BASE BOTTOM (#55)** together. Cement **DR. SMITH** into the holes/footprints on **BASE**. Cement the **ROBOT** onto the pegs of the **BASE**.



PAINTING GUIDE

ROBOT B-9

Upper and lower body	Aluminum
Flexible arms, legs and neck ...	Dark gray
Tracks on base	Flat Black
Claws	Silver <i>OR</i> Red
Control panel on front	(Background) Silver with Silver Claws <i>OR</i> Flat Black with Red Claws
2 Large round lights	White
10 Square buttons	Yellow, Green, Red, Blue, Orange
12 Small round buttons ..	multi-colored Red, Yellow, Blue, Green

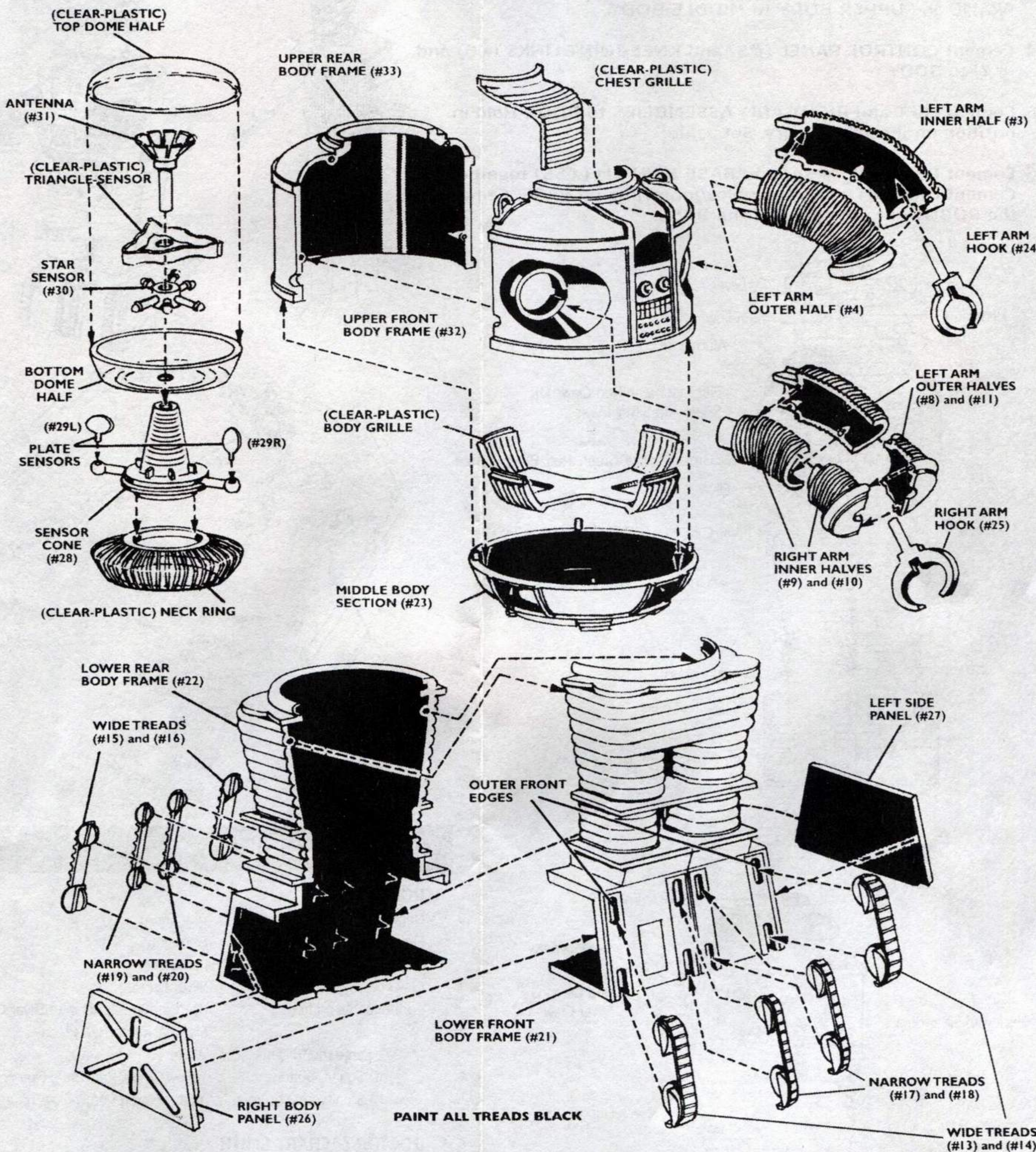
DOCTOR ZACHARY SMITH

Hair	Dark Brown/Black heavily streaked with Gray
Eyes	Blue/Gray
Face	Fleshtones
Jacket	Dark Gray (Hint: use a Black wash to bring out the texture.)
Fleece hood/Collar	Off White
Pants	Medium Blue
Turtle Neck	Powder Blue with Red "V" trim
Boots	Gloss Black
Gloves	Flat Black

PLANET SURFACE BASE

Sandy Brown rocks washed with various tones of Brown and Grays.





6. Using a small amount of cement, insert (CLEAR-PLASTIC) BODY GRILLE into MIDDLE BODY SECTION.

7. Cement LEFT (#27) and RIGHT (#26) SIDE PANELS to LOWER BODY FRAME.

8. Cement WIDE TREADS (#13) and (#14) into holes in OUTER FRONT EDGES of LOWER BODY FRONT and NARROW TREADS (#17) and (#18) into holes at center of BODY FRONT.

9. Repeat for WIDE TREADS (#15) and (#16) and NARROW TREADS (#19) and (#20), cementing these TREADS into holes at REAR of LOWER BODY.

10. Cement LEFT ARM INNER HALF (#3) to LEFT ARM OUTER HALF (#4) and cement LEFT ARM HOOK (#24) into hole in LEFT ARM ASSEMBLY. Allow to dry.

11. Cement RIGHT ARM OUTER HALVES (#8) and (#11) to RIGHT ARM INNER HALVES (#9) and (#10), then cement these assemblies together.

12. Cement RIGHT ARM HOOK into hole in RIGHT ARM ASSEMBLY. Allow cement to dry.

Dr. Zachary Smith

IMPORTANT - READ THIS FIRST!

Before assembling model, study sketch carefully. Important—Apply cement to inside surfaces only. Avoid getting cement on outer surfaces of model sections. Use cement very sparingly and avoid getting cement on hands, so as not to mar or smear plastic surfaces.

Do not hurry. Work carefully and patiently. Important Note: Before proceeding to cement parts together, it is advisable to fit parts together dry (without cement) so that you may familiarize yourself with the parts and how they go together, also noting the points where cement is to be applied.

For best results assemble model exactly in the order indicated.

This kit is molded of styrene plastic—use only styrene-compatible glues or cements. Assure yourself of a perfect model every time!

FOR BEST RESULTS: Use only high quality paints designed specifically for plastic model kits.

